



PHILCO



Radio Service Bulletin No. 55a

Published by the Philco Radio & Television Corporation of Great Britain, Ltd., Perivale, Greenford, Middlesex

Model U-427—Runs 2, 3, 4

RUN 2 MODELS

Position and wiring of various components altered and TB.2B added. A single pole on/off switch is incorporated with the volume control in place of the double pole type. The Part Number is 330-5004, List Price 3s. 6d.

RUN 3 MODELS

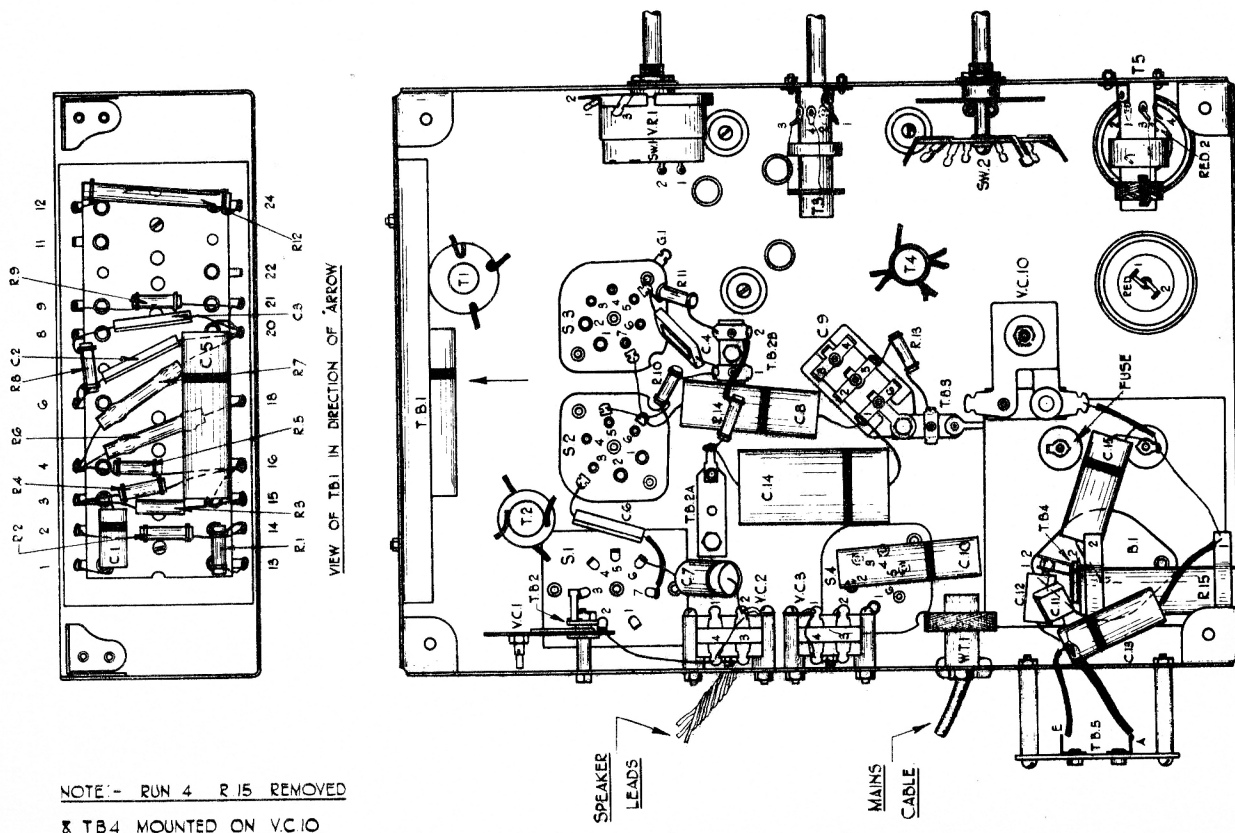
Incorporate the above changes with the addition of TB.2A. The Candohm wire-wound resistor (R.15), Part No. 33-3210, is replaced by a 10-15 watt Vitreous Resistor, 1,800 ohms, Part No. 330-3015, List Price 3s.; and the position and wiring of C.14 and R.14 are altered.

RUN 4 MODELS

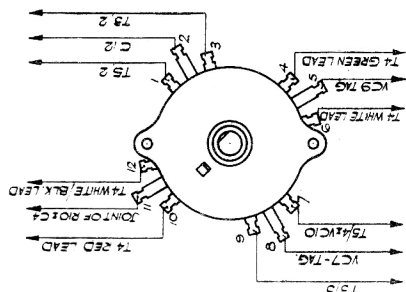
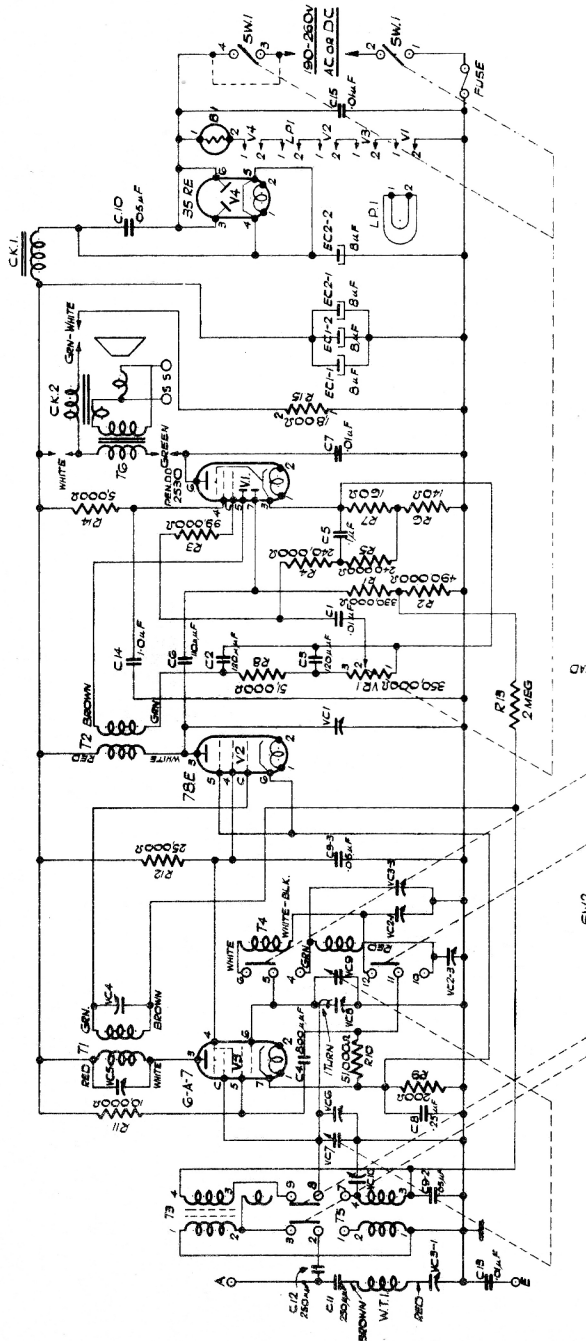
A permanent magnet speaker, Part No. 360-1109 (including Output Transformer, Part No. 320-8010, and Speech Coil and Cone, Part No. 360-4007), List Price 22s. 6d., is used in place of the energised type, Part No. 360-1051. CK.2 and R. 15 are therefore removed, the position of TB.4 is altered, and a two-way Speaker Cable, Part No. LO-1041, List Price 7d., is used in place of the three-way type, Part No. LO-1057.

NOTE.—On all models the value of C.10 is changed to .05 mfd., Part No. 30-4123, List Price 9d., and the Part No. of the 2nd I.F. Transformer is now 320-1170. The price of the latter item remains unchanged.

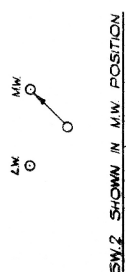
The revised Under Chassis Diagram and Circuit Schematic show the above alterations.



UNDER CHASSIS DIAGRAM.



AFTER RUN 1 - SW1 / 384 REMOVED & CONNECTIONS JOINED TOGETHER
NOTE - RUN 4 CK2 & R15 REMOVED



CIRCUIT SCHEMATIC.